

CueB Setup Guide





1 Contents

- 1. **CueB Ports and Connections**3
 - 1.1 Power DC IN:3
 - 1.2 Video Outputs [SDI & CV & SFP+]:3
 - 1.3 Ethernet:3
 - 1.4 USB A:.....4
 - 1.5 USB B:.....4
 - 1.6 CAN Bus (legacy):4
- 2. **Setup Diagram**5
 - 2.1 Standard CueB Connected to Studio Network:.....5
 - 2.2 Remote Location with USB connection:5
- 3. **CueB Network Configuration**6
 - 3.1 Ethernet NIC [eth0]6
 - 3.2 USB B “Virtual Network Adapter (RNDIS)” [usb0]6
 - 3.3 Network Behavior6
- 4. **CueB Settings**7
 - 4.1 Settings.....7
 - 4.2 Prompters List8
 - 4.3 Add CueB.....8
- 5. **Setting a Static IP Address**.....9
 - 5.1 Via CueiT Software and DHCP Network9
 - 5.2 Via CueiT Software and direct USB B RNDIS connection9
 - 5.3 Via on-screen menu and USB keyboard.....9



1. CueB Ports and Connections

1.1 Power DC IN:

Connector: 4-Pin XLR (Pin 1 -> GND, Pin 4 -> +12V DC)

DC Input: 9-18V (Typ. 12VDC) Power consumption 20W Max.

Power supply is supplied with CueB.

1.2 Video Outputs [SDI & CV & SFP+]:

All video ports: BNC & SFP+ connectors send identical straight-read video output. (Changing to mirror imaging for the prompter is done at the monitor.)

SDI (2 x BNC): Digital signal supported formats

- HD-SDI 720p50
- HD-SDI 720p59.94
- HD-SDI 1080i50
- HD-SDI 1080i59.94

CV (2 x BNC): Composite signal supported formats

- PAL@25Hz
- NTSC@29.97Hz

SFP+ (CueB V1.5, V1.6, V2.0): ST2110 uncompressed video over IP. Please note that SFP license add-on and SFP Encapsulator (sold separately) are required. SFP IP address configuration is achieved by managing SFP device directly (not from CueB interface).

- HD-SDI 720p50
- HD-SDI 720p59.94
- HD-SDI 1080i50
- HD-SDI 1080i59.94

1.3 Ethernet:

(CueB V1 & V1.5) Two RJ-45 Ethernet ports - Network connection / simple switch. Either port can be used as input or either port can be used as loop-through back to a computer or controller. Port is used for communication with computer running CueiT application.



(CueB V1.6 & V2.0) One RJ-45 Ethernet port – Network connection. Port is used for communication with computer running CueiT application.

1.4 USB A:

Allowing connection of USB keyboard to set up CueB Network configuration via on-screen menu, USB Mass Storage Device for logging purposes or CueScript Scroll Controller (“HW-INF interface” – CueB acts as gateway passing controller messages to CueiT instance).

1.5 USB B:

USB Connection to computer for prompting via Virtual Network Adapter (RNDIS).

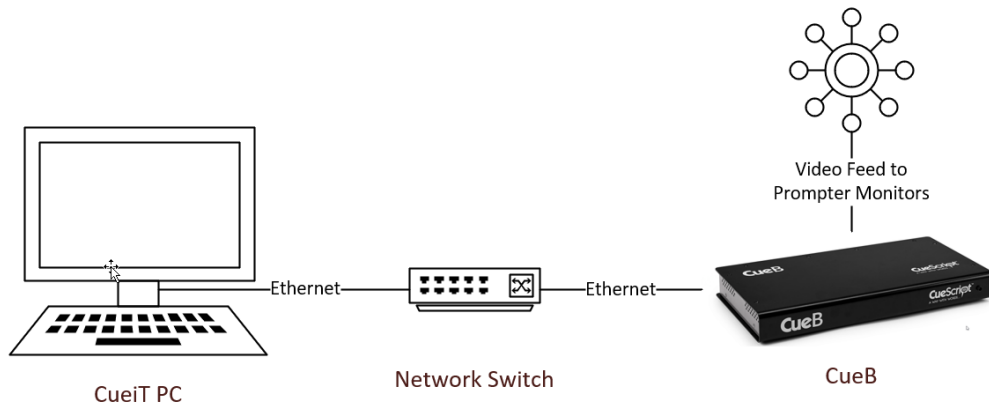
1.6 CAN Bus (legacy):

(CueB V1 only) BNC connector for controllers connected directly to CueB via 75 Ohm coaxial cable.

2. Setup Diagram

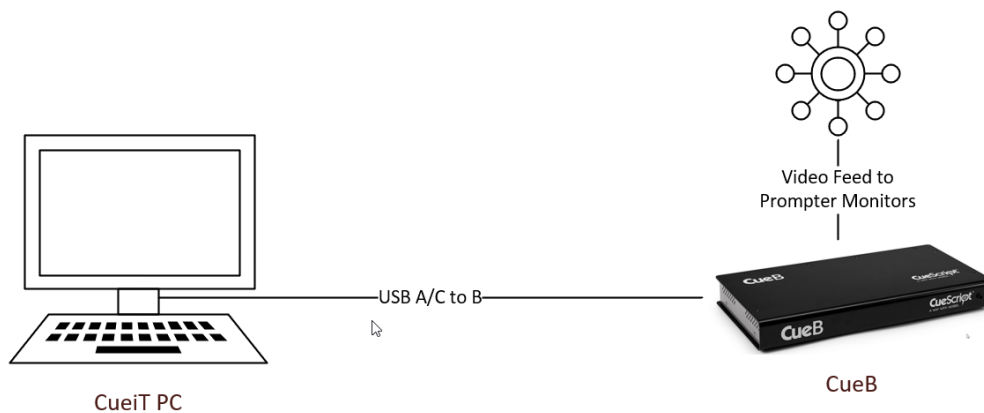
2.1 Standard CueB Connected to Studio Network:

This is a simple setup with a standard CueB in a studio environment. The CueB can sit anywhere in the studio environment, connect to CueiT software running on PC via Ethernet TCP/IP network and provide video prompter feed to teleprompter monitors via studio video distribution infrastructure.



2.2 Remote Location with USB connection:

For a simple remote location setup CueB can be connected directly to the CueiT PC via USB B with automated Virtual Network over USB for simplicity.





3 CueB Network Configuration

3.1 Ethernet NIC [eth0]

IP configuration is set to DHCP as default and CueB should receive IP address configuration when connected to the network containing DHCP Server. If Static IP configuration is needed, please see “Setting a Static IP Address” section.

3.2 USB B “Virtual Network Adapter (RNDIS)” [usb0]

This interface is set to DHCP as default and cannot be reconfigured. When CueB is connected to the PC via USB B to USB A connection, Windows or macOS should recognize it and install it as “USB Ethernet/RNDIS Gadget” device (If not, please refer to “CueB_USB_Driver_Installation.pdf” guide). IPs will be automatically configured as follows:

CueB = 192.168.7.2/24

PC = 192.168.7.3/24

3.3 Network Behavior

Network Behavior has “Use Broadcast Messages” enabled as default. When this option is ON, CueB sends network broadcast messages to the whole subnet hosts announcing its presence to all PC running CueiT and should be automatically added to “Propter Devices” list.

For scenarios where CueB and PC are in different subnets or network broadcast messages are blocked, user can disable “Use Broadcast Messages” option and specify up to 5 IP addresses of PCs running CueiT to which CueB will unicast its presence. Alternatively, CueiT can initiate connection to CueB – go to Prompt Tab -> Prompters Section -> ADD and input CueB IP address. Once added to CueiT, CueB will be on Prompter Devices list and CueiT will try to connect to this CueB after each restart.

Important:

- Please make sure that following ports are open on PC running CueiT and Windows or any third part **firewall** software is not blocking traffic from/to CueB for “Cue-iT.exe” application:
 - 4004 TCP ▪ 4373 UDP ▪ 4374 UDP ▪ 4375 UDP ▪ 4379 TCP ▪ 4380 TCP ▪ 4390 TCP ▪ 4391 TCP ▪ 4392 TCP
- Please make sure that any potential **Proxy** configuration on OS level is not blocking or diverting HTTP traffic between CueiT application and CueB.

4 CueB Settings

4.1 Settings

CueB settings in CueiT software can be accessed by navigating to PROMPT TAB -> Prompters Section -> List -> click on “Gear” icon next to CueB.

Edit prompter settings for [FW: 2.8.7]

Friendly Name (only numbers, letters, and spaces):
CueB

IP CONFIGURATION

- Use DHCP
- IP Address: _____
- Subnet Mask: _____
- Gateway IP: _____

NETWORK BEHAVIOR

- Use Broadcast Messages
- Cue iT IP Addresses to send to:
0.0.0.0

VIDEO CONFIGURATION

- Output Format: HD-SDI: 720p50 & Composite: PAL@25Hz
- 2110 Video Option Licensed
- Disabled

CUE TALK CLOUD CONFIGURATION [CUEB1]

CueTALK Cloud Config File (lovpn / .conf)
Choose file No file chosen

Upload Clear Configuration

Forget Prompter Update License Update Firmware Reboot OK Cancel

Friendly Name: Edit the friendly name to display on CueB output idle screen and under Prompters list in CueiT.

IP Configuration: Enter Static IP mode with “Use DHCP” unchecked. Complete the IP Address, Subnet Mask and Gateway IP to use CueB on your network.

Network Behavior: Specify up to 5 IP address of PC’s running CueiT with “Use Broadcast Messages” unchecked for automatic CueB discovery via broadcast messages on the same subnet.

Video Configuration:

- **Output Format:** Set required video output format for SDI/SFP+ and Composite BNC outputs.
- **2110 Video Option** (add-on license required): Enable or Disable SFP+ port.

CueTALK Cloud Configuration: Upload CueTALK Cloud configuration file or clear configuration from the device.



4.2 Prompters List

Navigate to PROMPT TAB -> Prompters Section -> List

Drop down list will display all CueBs connected to this CueiT instance. **Enabled** (Checked) CueBs will be controlled by CueiT, **Disabled** (Unchecked) CueBs will not be controlled by CueiT. To allow CueiT to automatically Enable any newly added CueB select “*Automatically Prompt To New Prompters*”, uncheck to disable automatic Enable action.

4.3 Add CueB

To add any CueB not automatically recognized by CueiT, but active and correctly configured on the network navigate to PROMPT TAB -> Prompters Section -> ADD.

A screenshot of a dialog box titled 'Manually add a prompter' with a close button (x) in the top right corner. The text inside reads: 'Enter the IP address or Hostname of your prompter and Cue iT will attempt to manually connect to it.' Below this is a label 'IP/Hostname:' followed by a text input field with a red cursor. At the bottom are 'OK' and 'Cancel' buttons.

Enter the IP address. If the CueB is found it will automatically be added as a prompter. If not, please check the network connection between the CueiT computer and the CueB and any potential firewall or proxy configurations preventing full communications.



5 Setting a Static IP Address

To apply static IP address to our devices you need to edit the configurations. This is done in the following way:

5.1 Via CueiT Software and DHCP Network

Edit the Configuration settings found under PROMPT TAB -> Prompters Section -> List -> click on “Gear” icon next to CueB.

- If your CueB and CueiT can connect over a DHCP network temporarily, the settings will keep once applied and brought to the network that requires a static IP address.
- If you are applying a static IP address through your network management, the MAC address is displayed on the CueB idle output screen.

5.2 Via CueiT Software and direct USB B RNDIS connection

The second option is to connect the CueB via USB to input the settings only, the steps are:

- Unplug the CueB from power.
- Plug in ONLY a USB cable from USB B port on the CueB to a USB on the CueiT computer.
- Re-plug power to the CueB.
- Let the CueB start and drivers install (this can take 1-4 minutes). The driver should install as a “Remote NDIS based Internet Sharing Device”. If CueB is recognized as “USB Serial COM” device, please refer to “CueB USB Driver Installation” guide.
- Once installed CueiT should display “Connected to CueB” in the bottom left corner.
- Follow the Edit Configuration from above.
- Disconnect from USB and reconnect on the desired network.

5.3 Via on-screen menu and USB keyboard

- Power down CueB
- Connect monitor to one of CueB video outputs (Composite or HD-SDI)
- Connect USB keyboard to one of two USB A ports
- Power up CueB and wait until it’s fully operational (30-40 seconds)
- Press F2 key on keyboard – this should bring IP configuration menu
- Set up desired IP configuration using arrow keys and Enter key to edit fields
- Navigate to “Save Settings” and press Enter



Contact CueScript

US OFFICE

555 Lordship Blvd
Stratford
CT, 06615
T: +1(203)763-4030

UK OFFICE

Unit 15, First Quarter Business Park
Blenheim Road
Epsom, Surrey, KT19 9QN
T: +44 (0) 20 3757 8880

24 Hour Support: +1(203) 692 4856

support@cuescript.tv

www.cuescript.tv

[Ask for TeamViewer Support!](#)