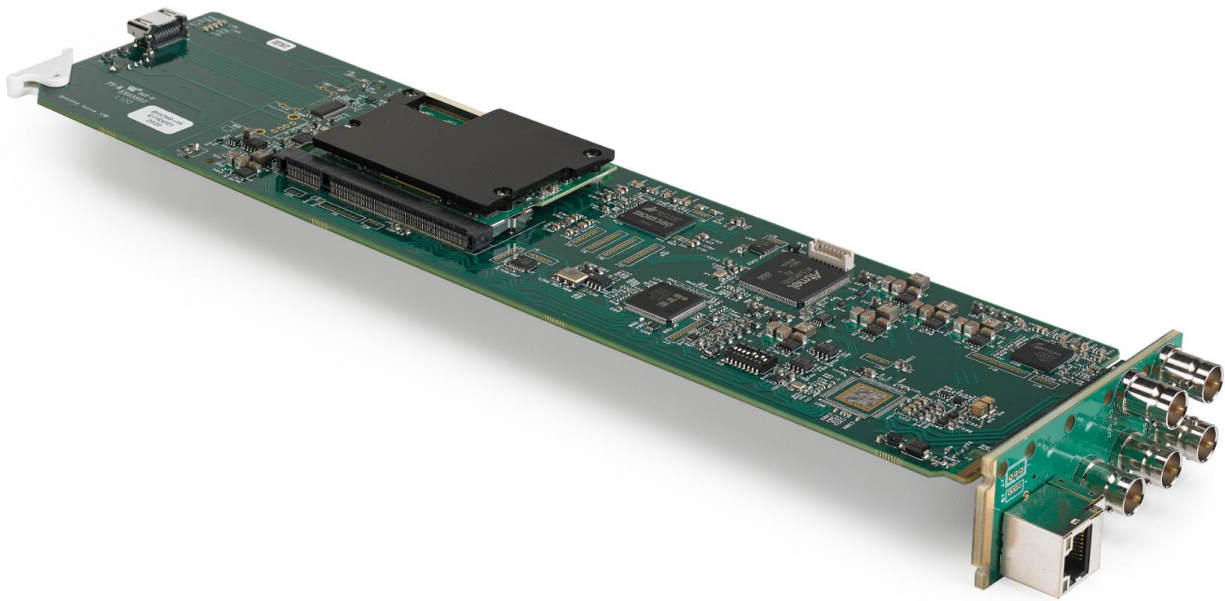


# openCueB Setup Guide



## Contents

|          |   |           |
|----------|---|-----------|
| <b>1</b> | <b>openCueB Ports and Connections</b> .....                     | <b>3</b>  |
| 1.1      | Power .....   | 3         |
| 1.2      | openCueB Backplane Connectors:.....                             | 3         |
| 1.2.1    | Video Outputs [SDI & CV]: .....                                 | 3         |
| 1.2.2    | Ethernet: .....   | 3         |
| 1.2.3    | Unused connectors: CAN1- J5 & LTC-J6:.....                      | 3         |
| 1.3      | Main Card Connectors .....                                      | 4         |
| 1.3.1    | USB A.....  | 4         |
| 1.3.2    | HDMI .....  | 4         |
| 1.3.3    | USB B-mini.....   | 4         |
| 1.4      | Main Card Body.....   | 4         |
| 1.4.1    | S3 Dip Switches .....   | 4         |
| <b>2</b> | <b>Installation</b> .....                                       | <b>5</b>  |
| <b>3</b> | <b>Setup Diagram</b> .....                                      | <b>5</b>  |
| 3.4      | Standard openCueB Connected to Studio Network: .....            | 5         |
| <b>4</b> | <b>openCueB Network Configuration</b> .....                     | <b>6</b>  |
| 4.4      | Ethernet NIC [eth0].....  | 6         |
| 4.5      | USB B-mini “Virtual Network Adapter (RNDIS)” [usb0] .....       | 6         |
| 4.6      | Network Behavior .....  | 6         |
| <b>5</b> | <b>openCueB Settings</b> .....                                  | <b>8</b>  |
| 5.4      | Settings.....   | 8         |
| 5.5      | Prompters List.....   | 9         |
| 5.6      | Add openCueB .....  | 9         |
| <b>6</b> | <b>Setting a Static IP Address</b> .....                        | <b>10</b> |
| 6.4      | Via CueiT Software and DHCP Network.....                        | 10        |
| 6.5      | Via CueiT Software and direct USB B mini RNDIS connection ..... | 10        |
| 6.6      | Via on-screen menu and USB keyboard.....                        | 10        |
| <b>7</b> | <b>Connectors pictures</b> .....                                | <b>11</b> |
|          | Contact CueScript .....   | 12        |



# 1 openCueB Ports and Connections

## 1.1 Power

Powered via openGear frame.

## 1.2 openCueB Backplane Connectors:

### 1.2.1 Video Outputs [SDI & CV]:

All video ports are BNC connectors and send identical straight-read video output. (Changing to mirror imaging for the prompter is done at the monitor.)

**SDI (2 x BNC):** Digital signal supported formats

- HD-SDI 720p50
- HD-SDI 720p59.94
- HD-SDI 1080i50
- HD-SDI 1080i59.94

**CV (1 x BNC):** Composite signal supported formats

- PAL@25Hz
- NTSC@29.97Hz

### 1.2.2 Ethernet:

Dedicated one RJ-45 Ethernet port on Backplane – Network connection. Port is used for communication with computer running CueiT application.

**Note: openCueB does support openGear Frame shared Ethernet port nor Dashboard management features.**

### 1.2.3 Unused connectors: CAN1- J5 & LTC-J6:

Service use only.



### 1.3 Main Card Connectors

#### 1.3.1 USB A

Allowing connection of USB keyboard to set up openCueB Network configuration via on-screen menu, USB Mass Storage Device for logging purposes.

#### 1.3.2 HDMI

Service only video output.

#### 1.3.3 USB B-mini

USB Connection to computer for prompting via Virtual Network Adapter (RNDIS).

### 1.4 Main Card Body

#### 1.4.1 S3 Dip Switches

Service use only - should not be changed for normal operation.

## 2 Installation

The standard installation for the openCueB is in an openGear frame. The openCueB requires two slot spaces in the frame. (openGear frames are not supplied by CueScript.)

1. Power off the openGear frame.
2. Install the back plate first, securing with a screw the backplate in the back of openGear frame, in an empty slot.
3. Remove the front of the openGear frame and Slide the openCueB main card into the frame so that the USB and HDMI ports will be facing out and the white release clip is oriented to the bottom.
4. Make sure there is a significant click from the main card into the back plate.
5. Replace the openGear frame front cover and power on the frame.

## 3 Setup Diagram

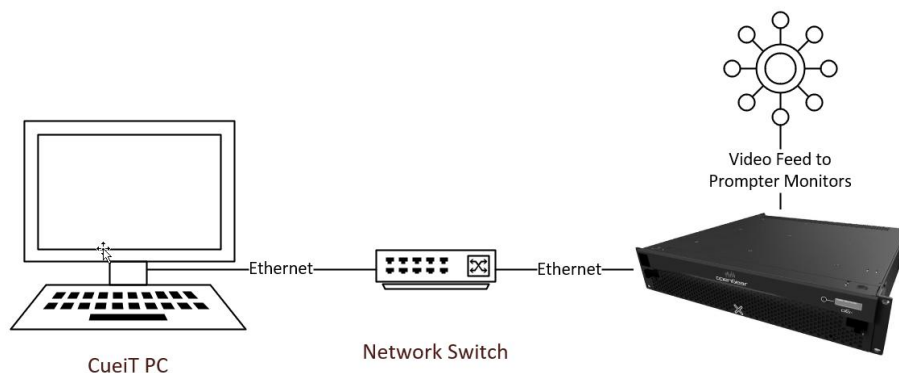
### 3.4 Standard openCueB Connected to Studio Network:

In a typical installation, openCueB is housed within an openGear frame and connected to the local studio network.

The prompter video output from openCueB is distributed to Prompter Monitors, Talent Displays, and Multiviewers as required by the production workflow.

When prompting is inactive, openCueB displays its configured friendly name, IP address, and MAC address on the default video output. This information can be used to identify the device and verify network connectivity.

For information on configuring the IP address, please refer to the **Network Configuration** section below.





## 4 openCueB Network Configuration

### 4.4 Ethernet NIC [eth0]

IP configuration is set to DHCP as default and openCueB should receive IP address configuration when connected to the network containing DHCP Server. If Static IP configuration is needed, please see “Setting a Static IP Address” section.

### 4.5 USB B-mini “Virtual Network Adapter (RNDIS)” [usb0]

(Only used for eth0 IP address configuration)

This interface is set to DHCP as default and cannot be reconfigured. When openCueB is connected to the PC via USB mini B to USB A connection, Windows or macOS should recognize it and install it as “USB Ethernet/RNDIS Gadget” device (If not, please refer to “CueB\_USB\_Driver\_Installation.pdf” guide). IPs will be automatically configured as follows:

openCueB = 192.168.7.2/24

PC = 192.168.7.3/24

### 4.6 Network Behavior

Network Behavior has “Use Broadcast Messages” enabled as default. When this option is ON, openCueB sends network broadcast messages to the whole subnet hosts announcing its presence to all PC running CueiT and should be automatically added to “Propter Devices” list.

For scenarios where openCueB and PC are in different subnets or network broadcast messages are blocked, user can disable “Use Broadcast Messages” option and specify up to 5 IP addresses of PCs running CueiT to which openCueB will unicast its presence. Alternatively, CueiT can initiate connection to openCueB – go to Prompt Tab -> Prompters Section -> ADD and input openCueB IP address. Once added to CueiT, openCueB will be on Prompter Devices list and CueiT will try to connect to this openCueB after each restart.



**Important:**

- Please make sure that following ports are open on PC running CueiT and Windows or any third part **firewall** software is not blocking traffic from/to openCueB for “Cue-iT.exe” application:
  - 4004 TCP ▪ 4373 UDP ▪ 4374 UDP ▪ 4375 UDP ▪ 4379 TCP ▪ 4380 TCP ▪ 4390 TCP ▪ 4391 TCP ▪ 4392 TCP
- Please make sure that any potential **Proxy** configuration on OS level is not blocking or diverting HTTP traffic between CueiT application and openCueB.

## 5 openCueB Settings

### 5.4 Settings

openCueB settings in CueiT software can be access by navigating to PROMPT TAB -> Prompters Section -> List -> click on “Gear” icon next to openCueB.

**Friendly Name:** Edit the friendly name to display on openCueB output idle screen and under Prompters list in CueiT.

**IP Configuration:** Enter Static IP mode with “Use DHCP” unchecked. Complete the IP Address, Subnet Mask and Gateway IP to use openCueB on your network.

**Network Behavior:** Specify up to 5 IP address of PC’s running CueiT with “Use Broadcast Messages” unchecked for automatic openCueB discovery via broadcast messages on the same subnet.

**Video Configuration:**

- **Output Format:** Set required video output format for SDI and Composite BNC outputs.

**CueTALK Cloud Configuration:** Upload CueTALK Cloud configuration file or clear configuration from the device.



## 5.5 Prompters List

Navigate to PROMPT TAB -> Prompters Section -> List

Drop down list will display all openCueBs connected to this CueiT instance. **Enabled** (Checked) openCueBs will be controlled by CueiT, **Disabled** (Unchecked) openCueBs will not be controlled by CueiT. To allow CueiT to automatically Enable any newly added openCueB select “*Automatically Prompt To New Prompters*”, uncheck to disable automatic Enable action.

## 5.6 Add openCueB

To add any openCueB not automatically recognized by CueiT, but active and correctly configured on the network navigate to PROMPT TAB -> Prompters Section -> ADD.

**Manually add a prompter** ✕

Enter the IP address or Hostname of your prompter and Cue iT will attempt to manually connect to it.

IP/Hostname:

Enter the IP address. If the openCueB is found it will automatically be added as a prompter. If not, please check the network connection between the CueiT computer and the openCueB and any potential firewall or proxy configurations preventing full communications.



## 6 Setting a Static IP Address

To apply static IP address to our devices you need to edit the configurations. This is done in the following way:

### 6.4 Via CueiT Software and DHCP Network

Edit the Configuration settings found under PROMPT TAB -> Prompters Section -> List -> click on “Gear” icon next to openCueB.

- If your openCueB and CueiT can connect over a DHCP network temporarily, the settings will keep once applied and brought to the network that requires a static IP address.
- If you are applying a static IP address through your network management, the MAC address is displayed on the openCueB idle output screen.

### 6.5 Via CueiT Software and direct USB B mini RNDIS connection

The second option is to connect the openCueB via USB B-mini to input the settings only, the steps are:

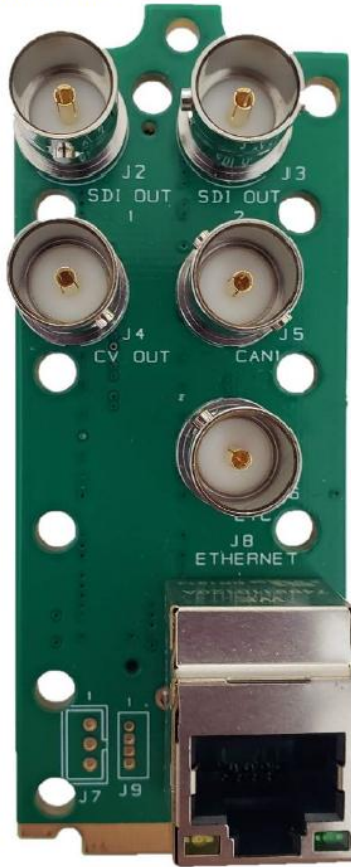
- Plug in USB cable from USB mini B port on the openCueB to a USB A on the CueiT computer.
- Let the openCueB start and drivers install (this can take 1-4 minutes). The driver should install as a “Remote NDIS based Internet Sharing Device”. If openCueB is recognized as “USB Serial COM” device, please refer to “CueB USB Driver Installation” guide.
- Once installed CueiT should display “Connected to openCueB” in the bottom left corner.
- Follow the Edit Configuration from above.
- Disconnect from USB and reconnect on the desired network.

### 6.6 Via on-screen menu and USB keyboard

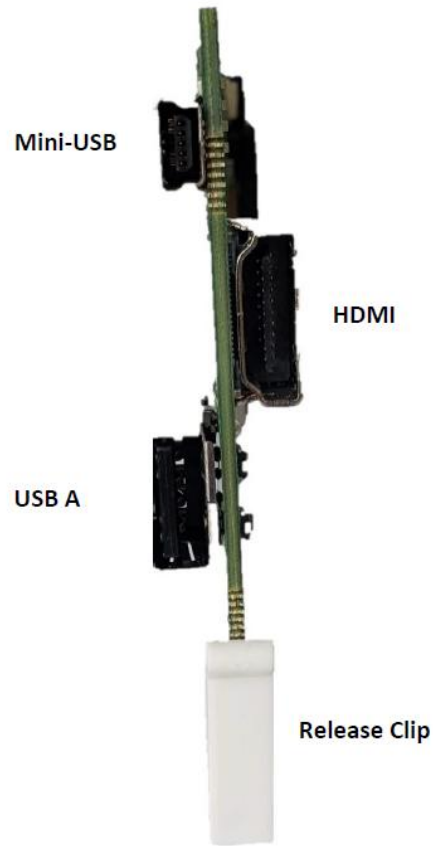
- Power off the openGear frame and open the front of the frame
- Connect monitor to one of openCueB video outputs (Composite or SDI)
- Connect USB keyboard to front USB A port on card
- Power up openGear frame and wait until the openCueB is fully operational (30-40 seconds)
- Press F2 key on keyboard – this should bring IP configuration menu
- Set up desired IP configuration using arrow keys and Enter key to edit fields
- Navigate to “Save Settings” and press Enter

## 7 Connectors pictures

Back Plate:



Front of main card:





---

## Contact CueScript

---

### US OFFICE

555 Lordship Blvd  
Stratford  
CT, 06615  
T: +1(203)763-4030

### UK OFFICE

Unit 15, First Quarter Business Park  
Blenheim Road  
Epsom, Surrey, KT19 9QN  
T: +44 (0) 20 3757 8880

**24 Hour Support:** +1(203) 692 4856

[support@cuescript.tv](mailto:support@cuescript.tv)

[www.cuescript.tv](http://www.cuescript.tv)

[Ask for TeamViewer Support!](#)